



ZODIAC



Instruction Manual & Warranty Card



Zodiac, *Mastering the Elements*

Renowned worldwide for the quality and reliability of its products in the aeronautical and marine sectors, Zodiac has now brought its expertise to swimming pools, to bring you a full range of pools, automatic pool cleaners and water treatment systems.

Backed by Baracuda technology, expertise and experience, Zodiac brings you the reassurance of top quality equipment in terms of both design and performance.

A real guarantee of efficiency and peace of mind!

Dear Customer,

Thank you for buying a Zodiac Genie Series II™. It is thanks to you that we have achieved our position as market leader.

The Zodiac Genie Series II™ has been designed and manufactured to be easily installed and to provide years of low maintenance operation.

- Your Zodiac Genie Series II™ has no moving parts to jam, wear or come adrift. No nuts, bolts, screws, gears or wheels to corrode.
- Its innovative cassette diaphragm system sucks up dirt, debris, bugs, leaves and even pebbles.
- Your Zodiac Genie Series II™ will quickly and quietly clean an average pool wall-to-wall, top-to-bottom (excluding steps and swimouts).
- In the event of requiring repairs, please take your Zodiac Genie Series II™ to your closest pool shop.
- REMEMBER TO REGISTER YOUR WARRANTY WITHIN FOURTEEN (14) DAYS FROM DATE OF PURCHASE.

IT'S EASY TO INSTALL. JUST READ THE INSTRUCTIONS IN THE MANUAL CAREFULLY.

THE CONTENTS OF YOUR ZODIAC GENIE SERIES II™ BOX ARE AS FOLLOWS:

- One complete Zodiac Genie Series II™ unit
- One Adjustable Auto Control Valve with Bypass
- One Hose Protector Mesh
- 12 x Genuine Zodiac Long Life Hose Sections
- Leader Hose Adaptor
- Weir Adaptor Set
- One Warranty Card
- One Instruction Manual
- One Hose Weight
- One Hose/Wheel Adaptor
- One Deflector Wheel

This pool cleaner is covered by one or more of the following patents: 659580, 576806, 583358 and 589683.

BARACUDA® is a Registered Trade Mark

Specifications and equipment are subject to change without prior notice.

INDEX

	Page
SECTION 1 – PREPARING YOUR POOL AND FILTRATION SYSTEM	1
SECTION 2 – INSTALLATION	4
SECTION 3 – CARE AND MAINTENANCE	7
SECTION 4 – TROUBLESHOOTING GUIDE	13
SECTION 5 – PARTS IDENTIFICATION	14
SECTION 6 – LET US HELP	15
WARRANTY INFORMATION	17
WARRANTY CARD	18

SECTION I – PREPARING YOUR POOL FILTRATION SYSTEM

PREPARE POOL AND FILTRATION SYSTEM

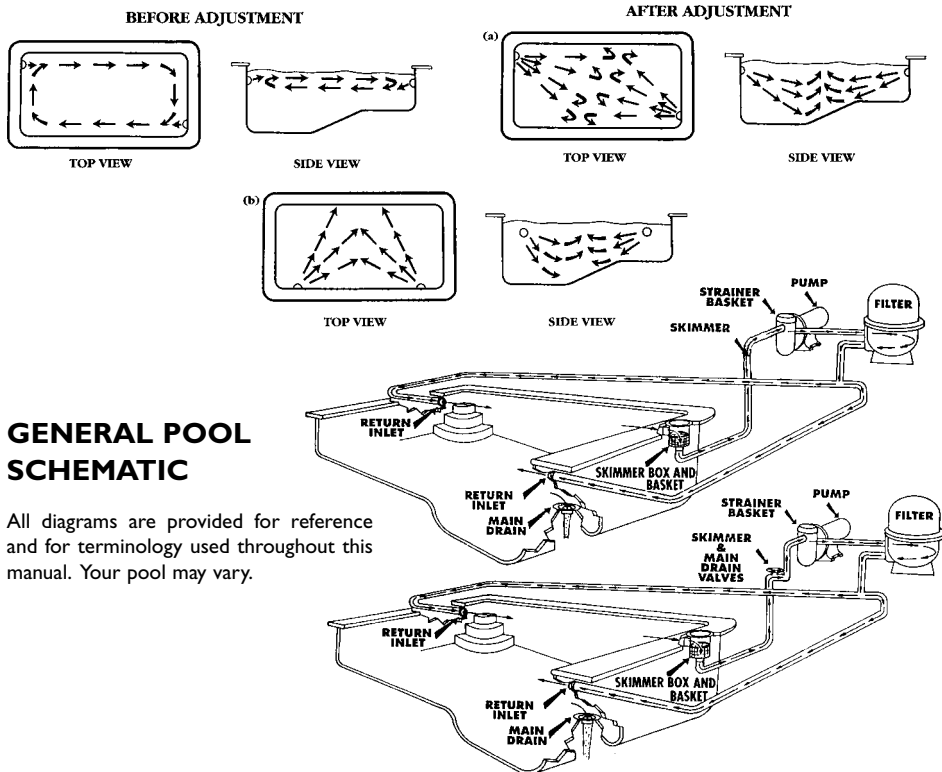
Step 1: Turn off the main drain, where main drain control is connected.

Step 2: Manually vacuum your pool.

Step 3: Clean the filter and empty the skimmer basket(s) and the pump strainer basket according to the manufacturer's instructions.

Note: The circulation system must be operating at its maximum water flow when you install the Zodiac Genie Series II™ otherwise readjustment will be necessary when you clean the filter and baskets.

Step 4: Adjust the water flow from all return inlets (a) downward and toward each other (or b. downward and toward the centre of the pool). See page 5 for additional information.



GENERAL POOL SCHEMATIC

All diagrams are provided for reference and for terminology used throughout this manual. Your pool may vary.

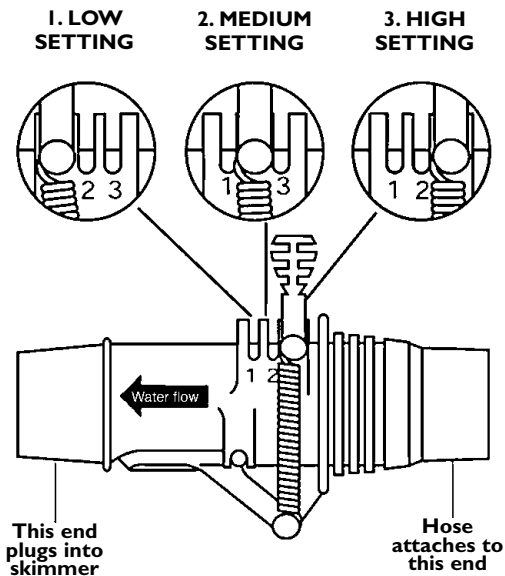
ADJUSTMENT SUGGESTIONS

WEIR VALVE WITH BYPASS

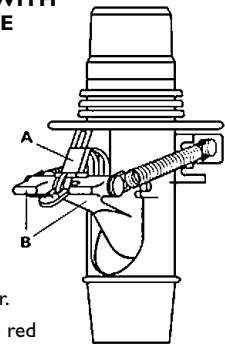
The Zodiac Weir Valve is preset at the factory to obtain maximum pool cleaning efficiency. Your Zodiac Genie Series II™ is preset on setting 2. However, if you do experience difficulties, it can be manually adjusted to one of the three settings (high, medium or low).

You will only need to adjust the Weir Valve if the following occurs:

PROBLEM	SOLUTION
The Zodiac Genie Series II™ pool cleaner is performing too fast and/or climbing above the level of the water.	Reduce Weir Valve to medium or low setting
The Zodiac Genie Series II™ pool cleaner is performing slowly and/or is not climbing the pool walls.	Increase Weir Valve to medium or high setting



TURNING YOUR ZODIAC GENIE SERIES II™ OFF IS MADE EASY WITH THE WEIR VALVE WITH BYPASS.



You no longer need to remove the Zodiac weir valve from the weir.

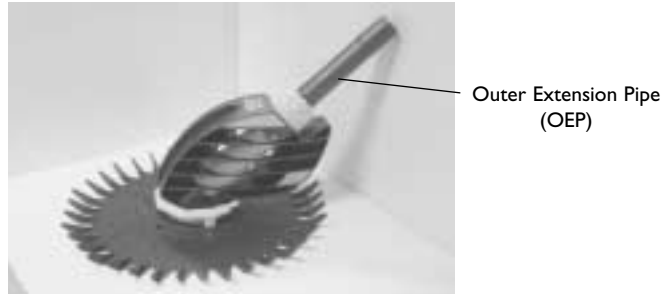
Simply depress the red pivoted arm (A) until it locks open the flow door.

To recommence pool cleaner operation, release the pivoted arm (A) by pressing down on the flow door (B).

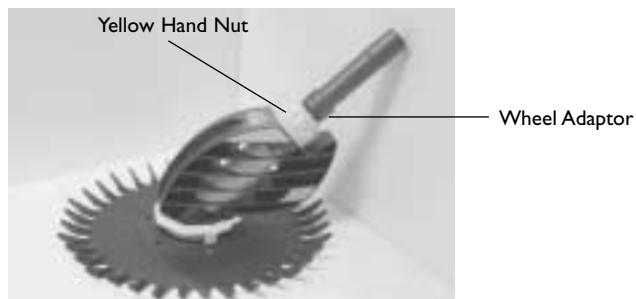
It's that simple!

WHEEL ADAPTOR INSTALLATION INSTRUCTIONS

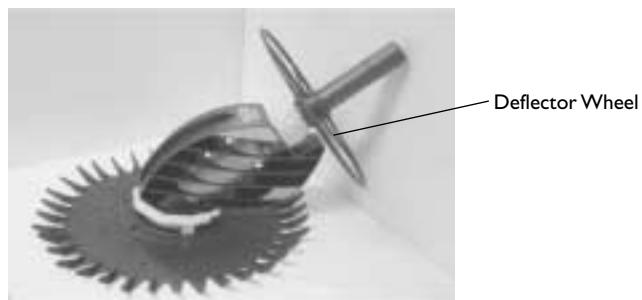
Your Zodiac Genie Series II™ comes with the Wheel Adaptor fitted to the Outer Extension Pipe, all you need to do is fit the Wheel Deflector. This guide will assist if you ever need to replace the Wheel Adaptor.



STEP A: Slide new Wheel Adaptor over Outer Extension Pipe.



STEP B: Push firmly on Wheel Adaptor until it clicks in the groove at the base of the swivel. The indentation should be next to the yellow hand-nut.



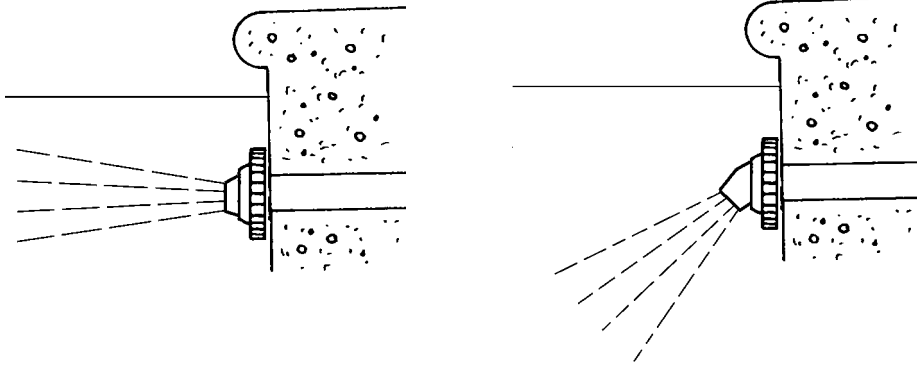
STEP C: Slide Wheel Deflector over Outer Extension Pipe and push firmly until it clicks in the groove over the Wheel Adaptor.

SECTION I – PREPARING YOUR POOL FILTRATION SYSTEM

NOTE: If no return inlet directional fittings exist, or directionals cannot be directed far enough down to prevent water flow from affecting the natural movement of the Zodiac hose, you must install Zodiac return line diverters. They are available through your Zodiac dealer.

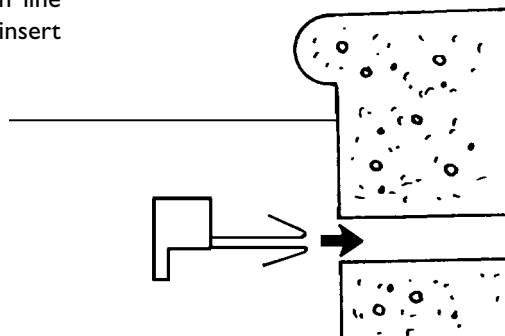
NOTE: FOR POOLS WITH RETURN INLET EYEBALLS, TURN EYEBALL DOWN.

For pools with return inlet directional fittings



For pools with no return inlet directional fittings

Use Zodiac optional universal return line diverter. Pinch wires together and insert fully into return inlet.

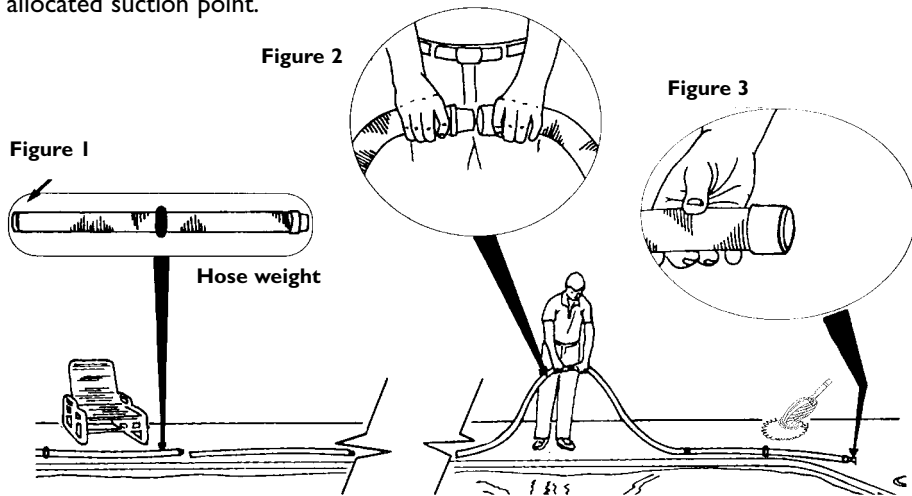


SECTION 2 – INSTALLATION

POOLS WITH ONE SKIMMER

Step 5: Select the hose with the pink insert (leader hose fig.3). Fit the hose weight at the end of this hose length (about 1 metre from the Machine head) which will be attached to the Zodiac Genie Series II™. Assemble the hose to the correct length (Fig. 4/5). Now fit the hose protector mesh to the skimmer end of the hose.

NOTE: Attach the leader hose (Fig.3) to the Zodiac Genie Series II™ head and the other end of the hose to the connection point in your skimmer box or other allocated suction point.



Use enough hose sections to reach the farthest point in the pool, plus one (1) section.

Figure 4

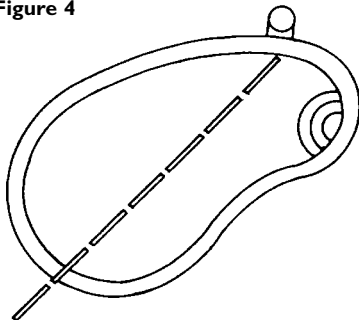
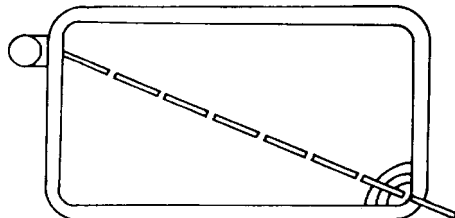
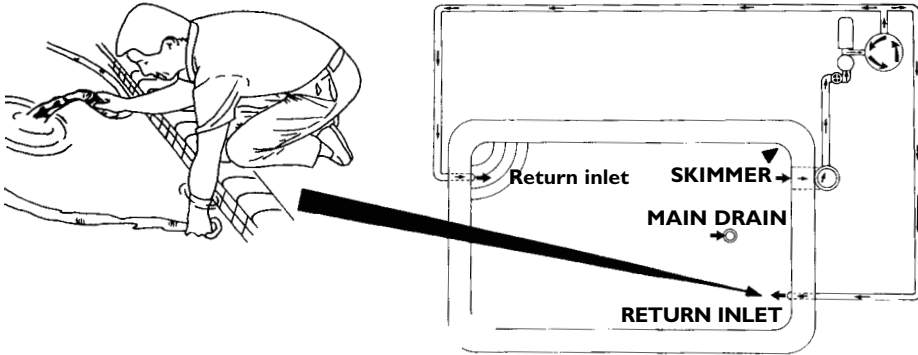


Figure 5

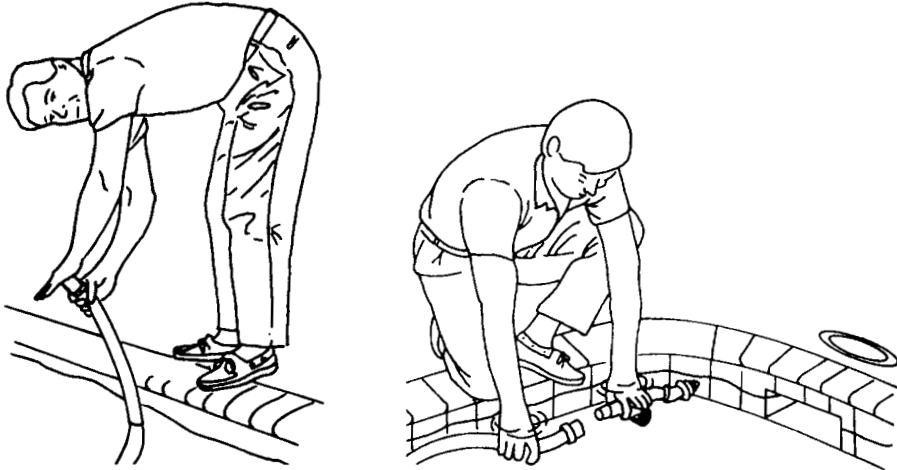


SECTION 2 – INSTALLATION

Step 6: Put deflector wheel on wheel adaptor & place on outer extension pipe of Zodiac Genie Series II™

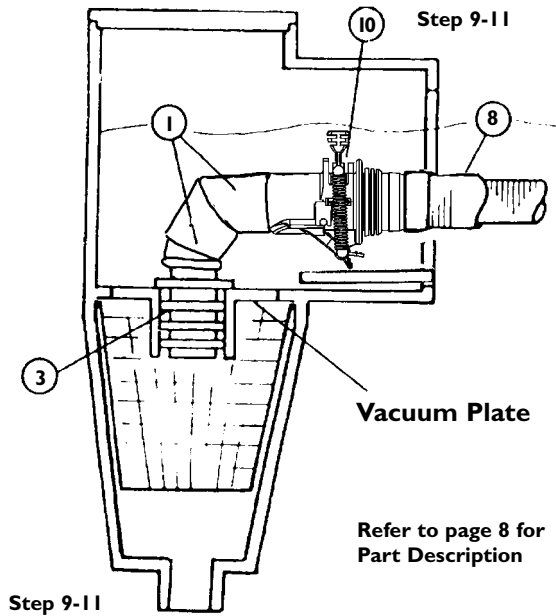


Step 7: Fill the hose with water by placing the end over a return inlet.



Step 8: With the weighted hose end in the pool, cover the other end (the end with the protector mesh) tightly with your hand. Move to the skimmer and attach this hose end to the regulator valve.

SECTION 2 – INSTALLATION



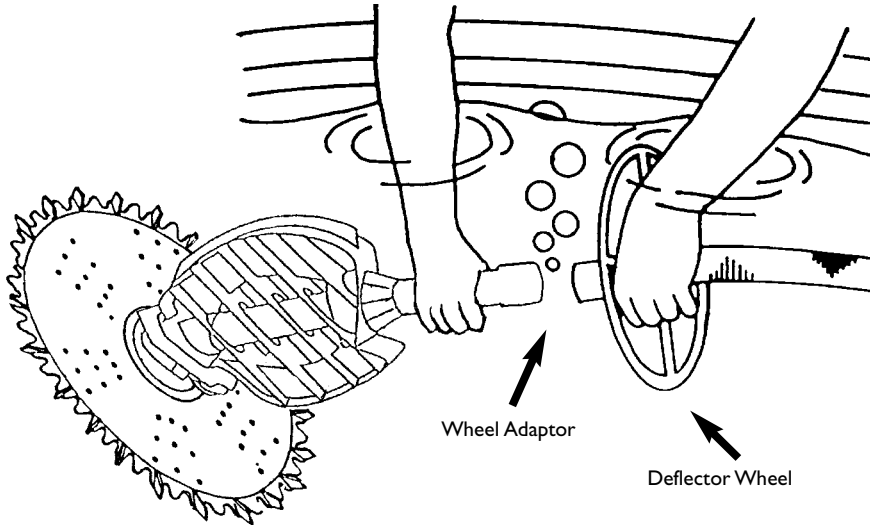
Step 9: Attach Regulator Valve to weir cuff & elbows (weir adaptor)

Step 10: Attach wheel adaptor to leader Hose (see over)

Step 11: Attach Weir adaptor into skimmer box vacuum plate.

SECTION 2 – INSTALLATION

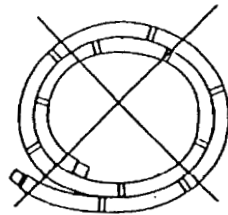
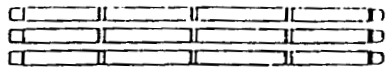
- Step 12:** Submerge the Zodiac Genie Series II™ head. When the bubbles have stopped flowing from the head, re-connect the head to the cuffed hose end.



SECTION 3 – CARE & MAINTENANCE

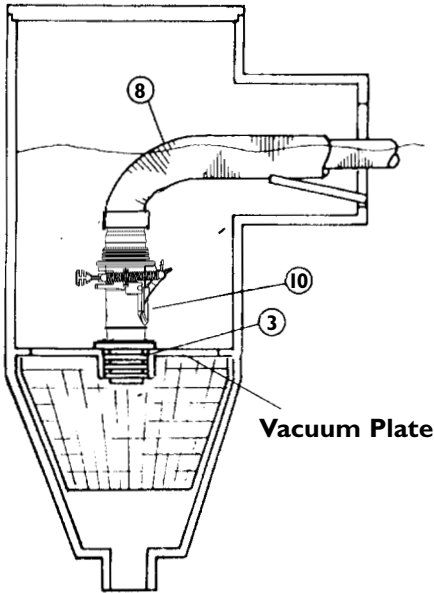
Sunlight (Ultraviolet rays), water and pool chemicals create a harsh environment. To increase the lifespan of the Zodiac Genie Series II™ and hose, you should:

- 1 Remove the Zodiac Genie Series II™ from the pool before Super Chlorinating and reinstall it a minimum of four hours later.
- 2 Always disconnect the hose from the skimmer or vacuum line before backwashing your filter.
- 3 Always store the hose straight. Never coil the hose (coiled hose can be straightened with hot water or by laying it straight in the sun for several hours).

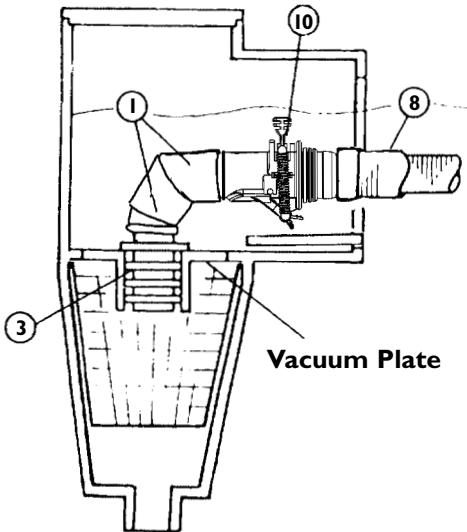
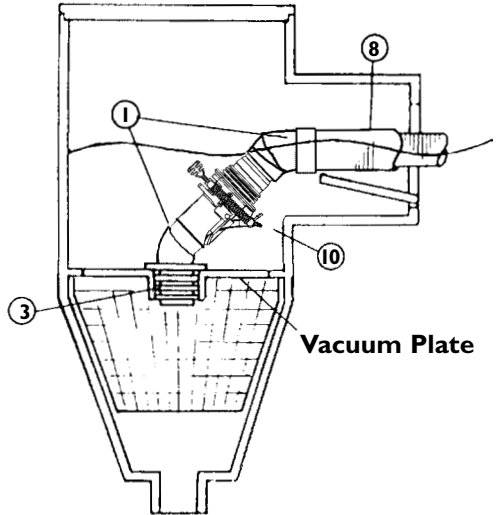


SECTION 3 – CARE & MAINTENANCE

SKIMMER



SKIMMER



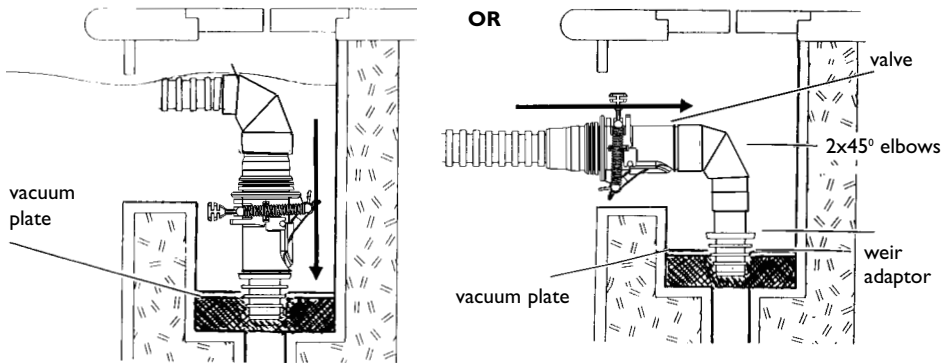
DESCRIPTION

- 1. Weir 45° Elbow
- 3. Universal Weir Cuff
- 8. Hose Protector
- 10. Regulator Valve

SECTION 3 – CARE & MAINTENANCE

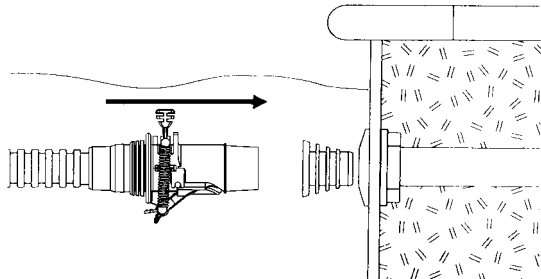
Connection to a (or the) skimmer point

- 1 Fit the automatic flow control valve into (one of) the skimmer box using the weir adaptor. Warning: the tension of the springs on this valve is preset - do not touch!
- 2 Make sure there is no air in the hose of your Zodiac Genie Series II™ then connect to the valve.
- 3 Close all other suction points: skimmers, vacuum point. Make sure that main drain outlet at skimmer box is closed. (if connected)



Connection to a vacuum point

- 1 Fit the automatic flow control valve into one of the skimmers using the weir adaptor. Warning: the tension of the springs on this valve is pre-set - do not touch!
- 2 Make sure there is no air in the hose of your Zodiac Genie Series II™ then connect to the valve.
- 3 Close all other suction points as above.



QUICK ACCESS CONTROL SYSTEM

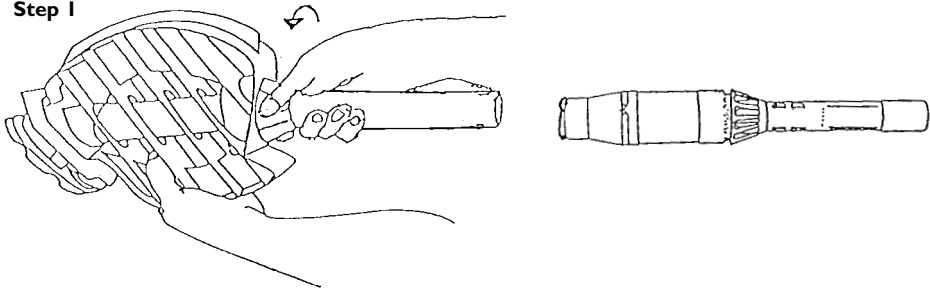
Unlike other competitive automatic pool cleaners, the Zodiac Genie Series II™ has the Quick Release Access Cassette System. This unique feature allows almost instantaneous access to the one moving part – the diaphragm.

Large foreign objects, such as children's toys, tree branches and rocks, should be removed manually from your pool prior to operating an automatic pool cleaner. In the event a foreign object does not get manually removed and a blockage occurs, the Quick Access Cassette System allows you the opportunity to remove the blockage or check the diaphragm for damage in minutes at poolside.

STEP 1 REMOVAL OF CASSETTE

Unscrew the Cassette Holding Nut - three turns anti-clockwise.
Pull the cassette out of the main body.

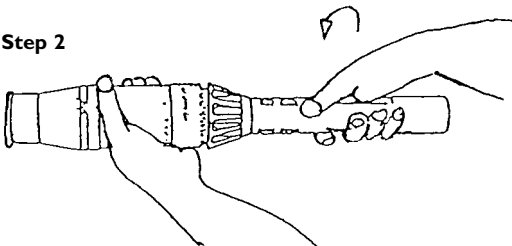
Step 1



STEP 2 PARTING THE CASSETTE

Grasp the cassette in one hand and unscrew the extension pipe 2 turns.

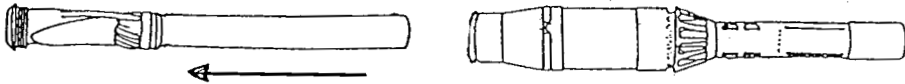
Step 2



STEP 3 PARTING DIAPHRAGM ASSEMBLY

Grasp the rim of the diaphragm and pull the diaphragm assembly out of the cassette.

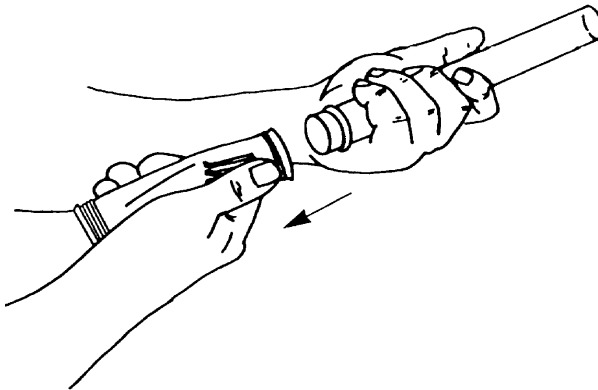
Step 3



STEP 4 REMOVAL OF INNER EXTENSION PIPE

Remove the diaphragm from the inner extension pipe. The retaining ring on the diaphragm must be placed on the new diaphragm.

Step 4



STEP 5 EXAMINATION

Inspect the diaphragm for the blockage or damage. If damage is evident, i.e. a cut or hole on the sides of the diaphragm, it will need to be replaced by your authorised Zodiac dealer.

If a blockage is apparent, grasp it and remove it. If this can't be done, a garden hose may be used to flush the obstacle through. **Do not use any sharp objects to probe or push an obstruction as this may damage the diaphragm.**

STEP 6 DIAPHRAGM ASSEMBLY

Prior to reinstalling the diaphragm, rinse the diaphragm and the inner extension pipe thoroughly to remove any grit or algae. Attach the diaphragm to the inner extension pipe using the retaining ring (Figure 4). Slide the top of the inner extension pipe (the end which is opposite the diaphragm) into the body. Pressing on the underside of the diaphragm's ridges, push the diaphragm into the body (Figure 5). The diaphragm should fit flush against the cassette. Hold the cassette and tighten the outer extension pipe by turning it clockwise (Figure 6). Do not overtighten.

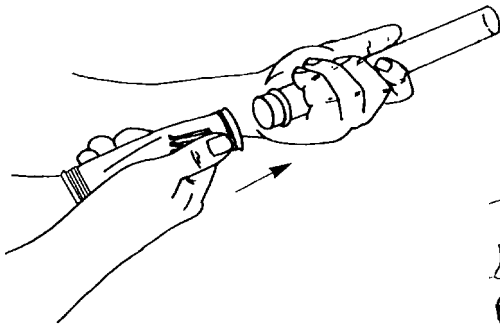


Figure 4

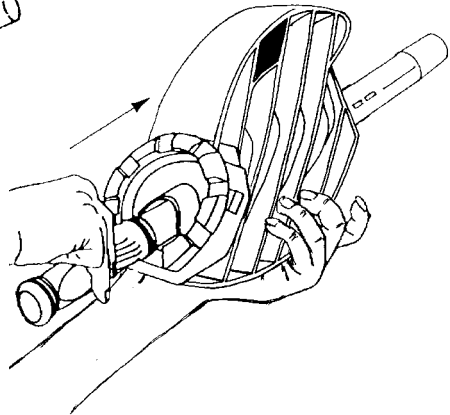


Figure 5

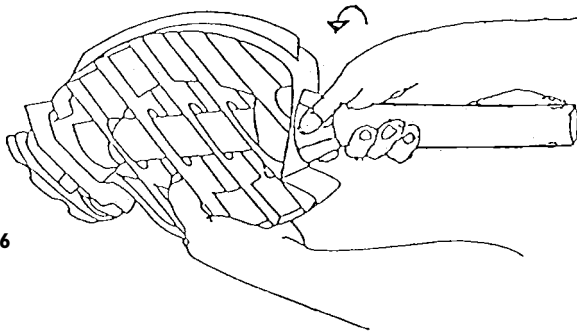


Figure 6

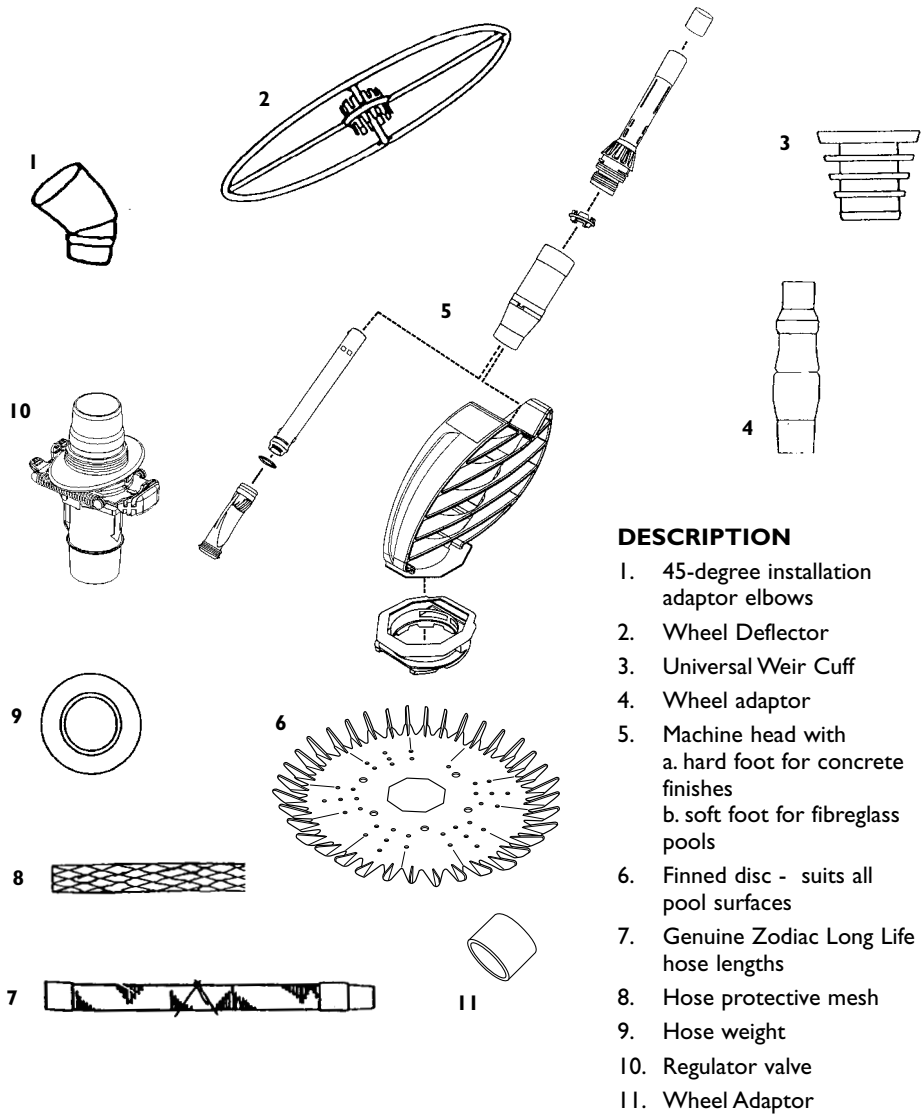
MECHANICAL

(MACHINE STOPS OR MOVES SLUGGISHLY)

1. Turn the filter system off and check all the connections of the ZODIAC GENIE SERIES II™ to the skimmer.
2. Remove the ZODIAC GENIE SERIES II™ head from the hose, turn it upside down and inspect for debris blocking the diaphragm.
3. Backwash or clean the filter and clean pump and skimmer baskets of all debris. Turn the filter system on and check that there is good flow. NOTE: In cold water 15°C or less, water flow through the ZODIAC GENIE SERIES II™ must be increased to compensate for the reduced flexibility of the hose and diaphragm.
4. If the ZODIAC GENIE SERIES II™ still does not move, lift the hose out of the water, 1 metre at a time, while filtration system is running. A crack in the hose can be detected by a hissing noise. Replace hose.
5. If the above steps do not resolve the problem, the pool filtration system is probably not supplying the water flow necessary to propel the ZODIAC GENIE SERIES II™.
6. Have a qualified pool service person inspect your pump impeller, pump motor, filter tank and elements or plumbing for blockage or leaks.

SECTION 5 – PARTS IDENTIFICATION

CHECK THAT THE FOLLOWING PARTS ARE INCLUDED



STOP: If listed parts are missing, please contact your pool builder/retailer immediately.

WARRANTY INFORMATION

ZODIAC GENIE SERIES II™ TWO-YEAR WARRANTY

This ZODIAC GENIE SERIES II™ was carefully inspected before shipment from our warehouse. Upon unpacking, if any part is missing or found to be defective, please notify your dealer immediately. Please consult owner's manual for complete instructions on the installation and operation of your Zodiac Genie Series II™.

ZODIAC GROUP AUSTRALIA WARRANTS THE ZODIAC GENIE SERIES II™ POOL CLEANER TO BE FREE FROM DEFECTS IN MATERIALS AND WORKMANSHIP FOR A PERIOD OF TWO (2) YEARS FROM DATE OF PURCHASE. THE ZODIAC GENIE SERIES II™ HOSE IS WARRANTED FOR TWO (2) YEARS AGAINST MANUFACTURING DEFECTS AND ULTRAVIOLET BREAKDOWN.

THIS LIMITED WARRANTY EXCLUDES THE FOLLOWING:

1. Discoloration of the ZODIAC GENIE SERIES II™ pool cleaner caused by reaction to chemicals used in the pool water. Discoloration does not affect the operating ability of the Zodiac GENIE SERIES II™. Therefore, this limited warranty does not cover the replacement of discoloured parts.
2. Damage to or malfunction of the unit resulting from excess chlorination or improper water chemistry balance.
3. Replacement of parts which fail or become defective as a result of improper installation, negligence, misuse, abuse or tampering by unauthorised repair personnel.
4. Age, pool water imbalance, and improper installation can cause pool liners to become brittle or unduly wrinkled. Corrosion of the supporting walls and/or irregularities in the pool base may also cause liner failure. The use of this product in such an environment is at the pool owner's risk. Therefore, the pool owner hereby releases the manufacturer from any and all claims for damage where these conditions exist.
5. Abrasion to the hose or damage caused by misuse or improper installation.

No claim under this limited warranty will be recognised unless the attached registration card is completed and returned within fourteen (14) days of the day of purchase. Only the original purchaser may submit a claim under this limited warranty. Purchaser's claims against Zodiac Group Australia Pty. Ltd. shall be limited to those claims which may be asserted under the limited warranty relating to any defect, malfunction or wear of the Zodiac GENIE SERIES II™.

To obtain warranty replacement or repair, the unit should be returned, freight prepaid, to the place of purchase or directly to: Zodiac Group Australia Pty. Ltd. Unit 1, 23 Rowood Road Prospect NSW 2148. When submitting a claim, always supply serial number, evidence of purchase date, retailer and a brief description of the problems/defects encountered. Zodiac Group Australia Pty. Ltd. reserves the right to repair or replace all defective or worn parts covered by this limited warranty and return same to purchaser, freight collect.

Zodiac Group Australia Pty. Ltd. assumes no responsibility for any warranties or representations made by other individuals or businesses beyond the express terms contained in this limited warranty.

This warranty gives you specific legal rights, and you may also have other rights which vary from state to state. This warranty will remain the property of Zodiac Group Australia Pty. Ltd.



Baracuda® is a registered trademark of Zodiac Group Australia Pty Ltd.

ABN: 87 002 641 965

1/ 23 Rowood Road Prospect

NSW 2148 Australia

Tel: 1800 688 552 Fax: +61(0)2 9896 5766

www.zodiac.com.au

Copyright Reserved © 2003